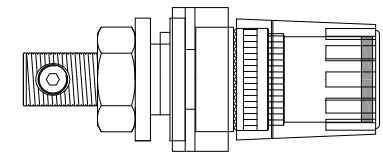
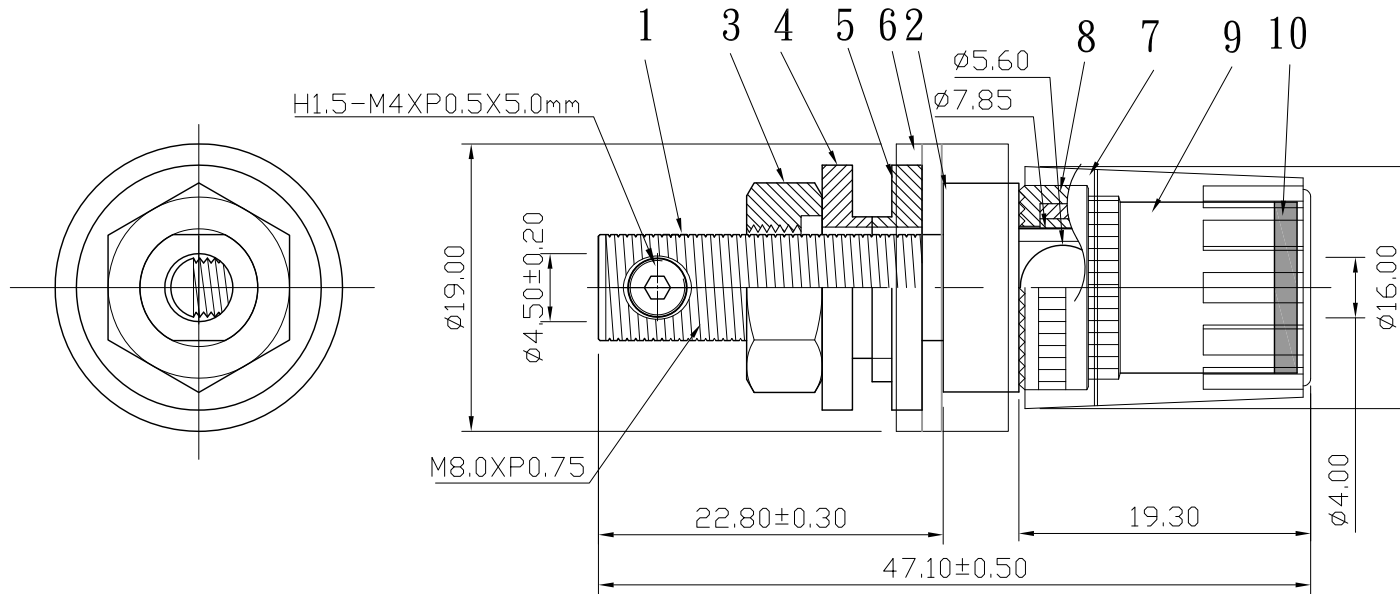


REMARK : RoHS REQUIREMENT APPLIED  
(符合RoHS)



S 1 : 1

11	screw	1	brass	gold	
10	color ring	1	PE 207	red/black/white	
9	shell	1	brass	gold	
8	ring	1	brass	gold	
7	shell	1	PC (polycarbonate)	transparent	
6	shell	1	PC (polycarbonate)	transparent	
5	washer	1	PA 66 nylon	red/black/white	
4	washer	1	PA 66 nylon	red/black/white	
3	hexagon nut	1	brass	gold	
2	body b	1	tellurium copper	gold	
1	body a	1	copper	gold	
NO.	Description	Unit	Materials	Finish	Drawing No.

DIMENSIONS ARE IN  
MILLIMETERS  
UNLESS OTHERWISE SPECIFIED  
TOLERANCES  
(一般公差)  
0.5~6 = ±0.2  
>6~30 = ±0.4  
>30~120 = ±0.6  
>120~315 = ±1  
>315~1000 = ±1.6  
ANGLES(角度) = ±5°

CHECKED

DRAWN

Chad

DATE

2019. 06. 28



雅鈦企業有限公司  
Aec Connectors Co., Ltd.

TITLE

BINDING POST

DRAWING NO.

BI-110RD/BK/WEPLG(Co)-B-RD/BK/WE-20mm

FILE NO. DRAWINGAUDIO\BI-110RD/BK/WEPLG(Co)-B-RD/BK/WE-20mm

SCALE 2 : 1 UNIT MM