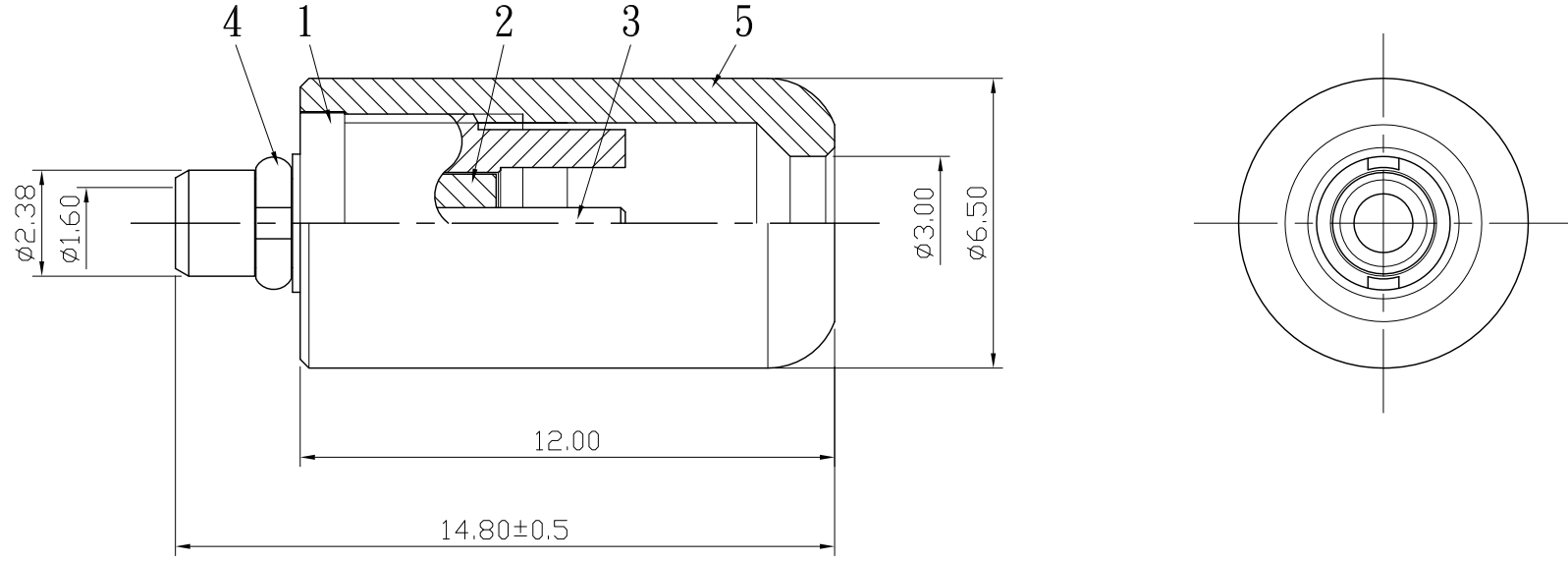
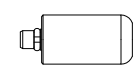



No.	DATE	DESCRIPTION	REV	REMARK : RoHS REQUIREMENT APPLIED (符合RoHS)	DATE	DRAWING NO.
-----	------	-------------	-----	---	------	-------------



  
S 1 : 1

-						DIMENSIONS ARE IN MILLIMETERS	CHECKED	 <b>雅鈦企業有限公司</b> Aec Connectors Co., Ltd.	
-									UNLESS OTHERWISE SPECIFIED TOLERANCES (一般公差)
5	shell	1	aluminum	clear anodic treatment	IPSL0004AL-AT	0.5~6 = ±0.2	DRAWN <b>Otis</b>	MMCX PLUG	
4	c ring	1	beryllium copper	gold	MXCG0001BE-G	>6~30 = ±0.4		DATE	
3	contact pin	1	brass	gold	MXCP0001BR-G	>30~120 = ±0.6	2015. 03. 24	DRAWING NO.	
2	insulator	1	PTFE	white	MXIR0001TF	>120~315 = ±1		MX-1013GTG-SF0015	
1	body	1	brass	gold	MXBY0006BR-G	>315~1000 = ±1.6	FILE NO.	DRAWINGRFMXXMX-1013GTG-SF0015	
NO.	Description	Unit	Materials	Finish	Drawing No.	SCALE	6 : 1	UNIT	MM